

## 2-LUG MONO BLOCK

TYPICALLY USED AT THE TOP OF ABUTMENT

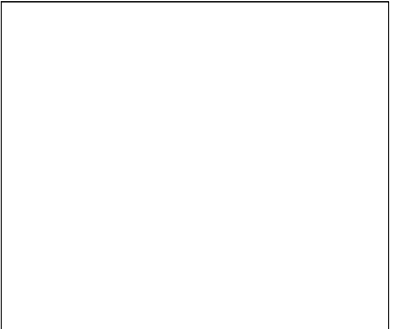
TITLE

2-LUG MONO BLOCK TECHNICAL DATA

PROJECT

PACIFIC BRIDGE AND CONSTRUCTION, INC.  
MODULAR PRECAST CONCRETE BRIDGE SYSTEM

DATE 05/10/2013	DRAWN BY GRL	CHECKED BY MCW	REVISED
--------------------	-----------------	-------------------	---------

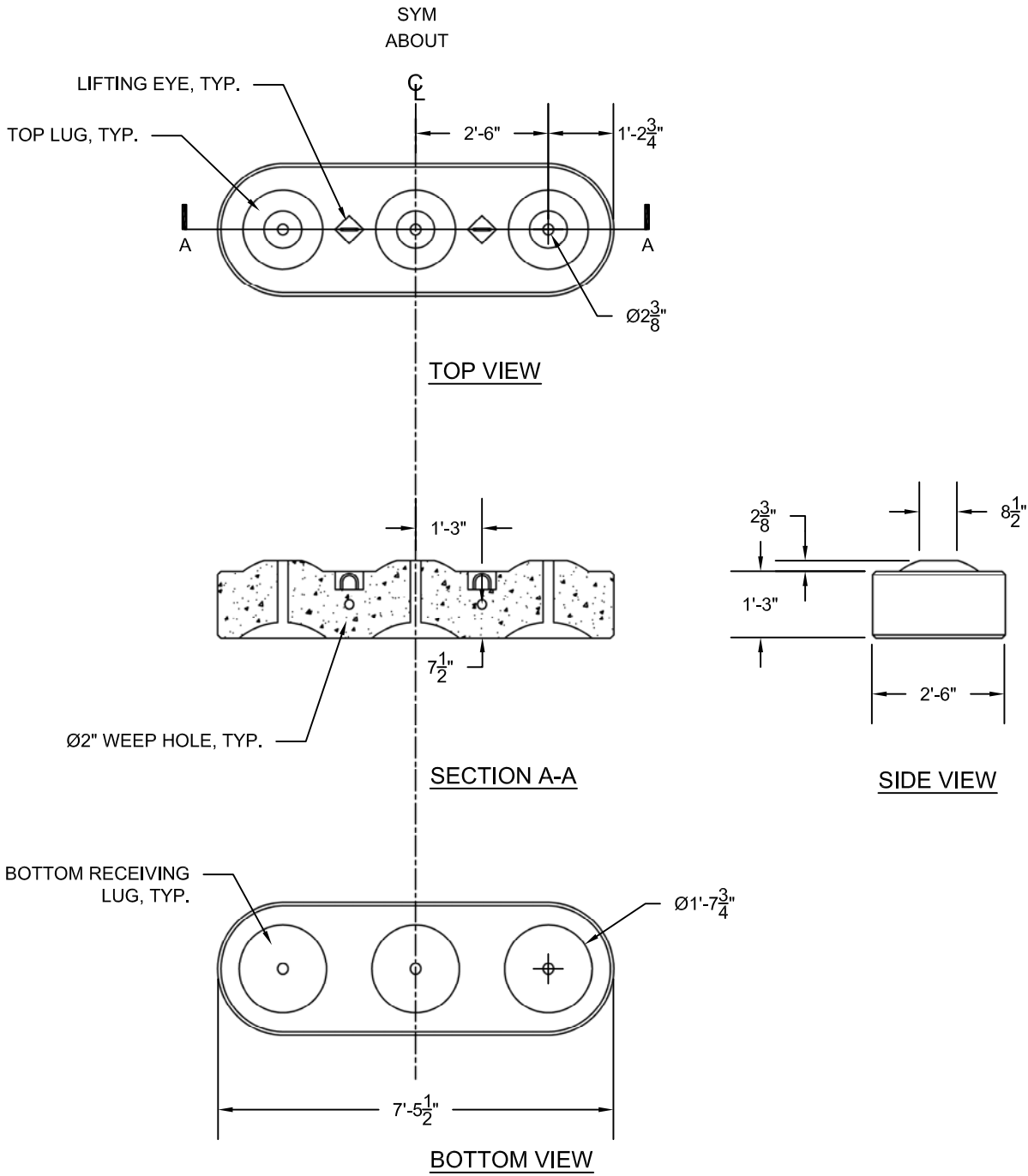


PACIFIC BRIDGE &  
CONSTRUCTION, INC.  
40800 S.E. COALMAN RD.  
P.O. BOX 1711  
SANDY, OR 97055

JOB NUMBER

DRAWING NUMBER

0002



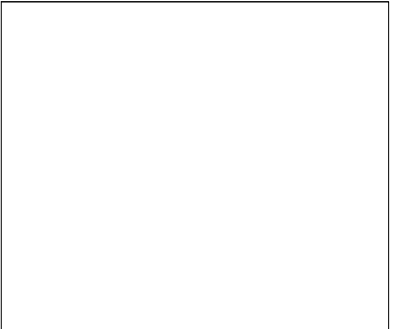
# 3-LUG MONO BLOCK

TYPICALLY USED AS A SPREAD FOOTING

TITLE  
3-LUG MONO BLOCK TECHNICAL DATA

PROJECT  
PACIFIC BRIDGE AND CONSTRUCTION, INC.  
MODULAR PRECAST CONCRETE BRIDGE SYSTEM

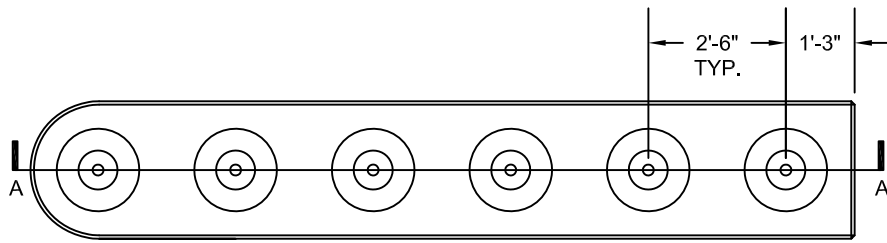
DATE 05/10/2013	DRAWN BY GRL	CHECKED BY MCW	REVISED
--------------------	-----------------	-------------------	---------



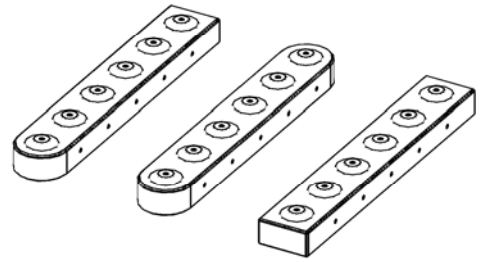
**PACIFIC BRIDGE &  
CONSTRUCTION, INC.**  
40800 S.E. COALMAN RD.  
P.O. BOX 1711  
SANDY, OR 97055

JOB NUMBER

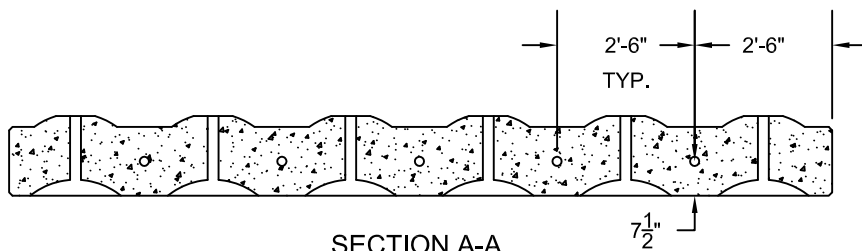
DRAWING NUMBER  
0001



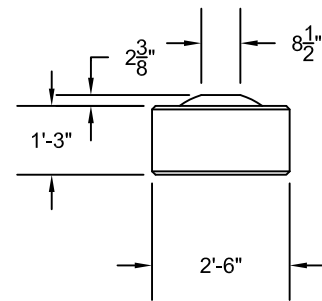
TOP VIEW



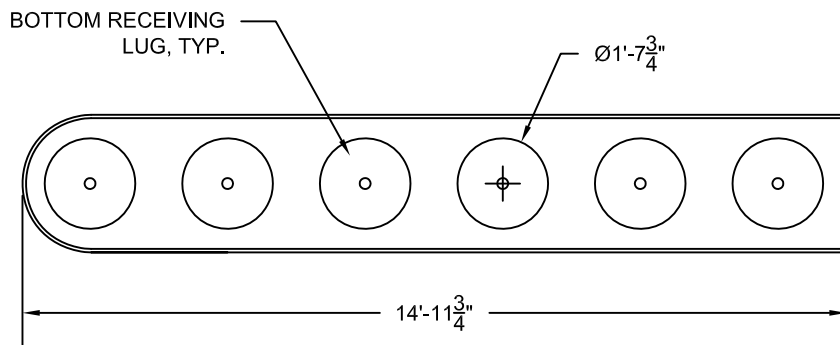
ISO VIEW:  
 ENDS CAN BE MANUFACTURED  
 AS SQUARE, ROUNDED, OR A  
 COMBINATION OF BOTH



SECTION A-A



SIDE VIEW



BOTTOM VIEW

BLOCKS CAN BE MANUFACTURED  
 UP TO 25' LONG WITH 10 LUGS

## 6-LUG MONO BLOCK

TOP BLOCK USED TO SET AND CONFINE ABUTMENT BLOCKS UNDERNEATH

TITLE	<u>6LUG MONO BLOCK TECHNICAL DATA</u>		
-------	---------------------------------------	--	--

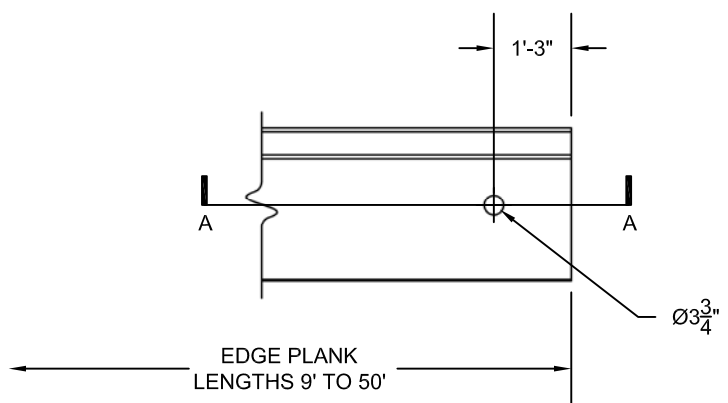
PROJECT	<u>PACIFIC BRIDGE AND CONSTRUCTION, INC.</u> <u>MODULAR PRECAST CONCRETE BRIDGE SYSTEM</u>		
---------	---	--	--

DATE	DRAWN BY	CHECKED BY	REVISED
05/10/2013	GRL	MCW	

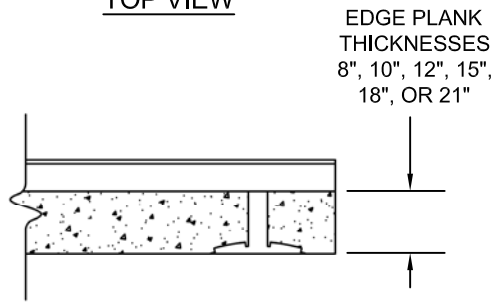
PACIFIC BRIDGE & CONSTRUCTION, INC. <small>40800 S.E. COALMAN RD.          P.O. BOX 1711          SANDY, OR 97055</small>
---

JOB NUMBER
------------

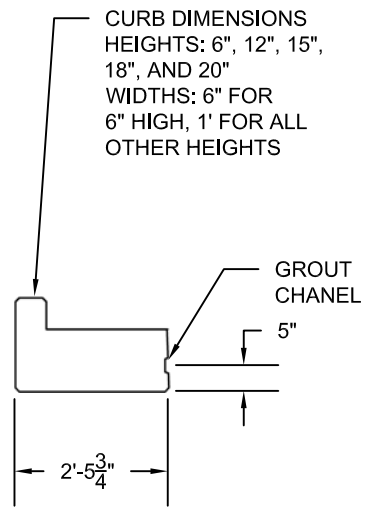
DRAWING NUMBER
0007



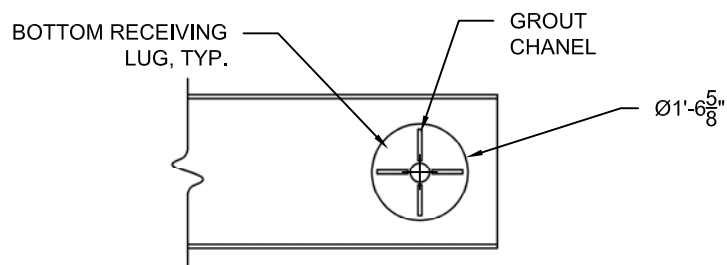
TOP VIEW



SECTION A-A



SIDE VIEW



BOTTOM VIEW

# EDGE PLANK

RAISED CURB PLANK USED AT BRIDGE ROAD SURFACE EDGES

TITLE  
EDGE PLANK TECHNICAL DATA

PROJECT  
PACIFIC BRIDGE AND CONSTRUCTION, INC.  
MODULAR PRECAST CONCRETE BRIDGE SYSTEM

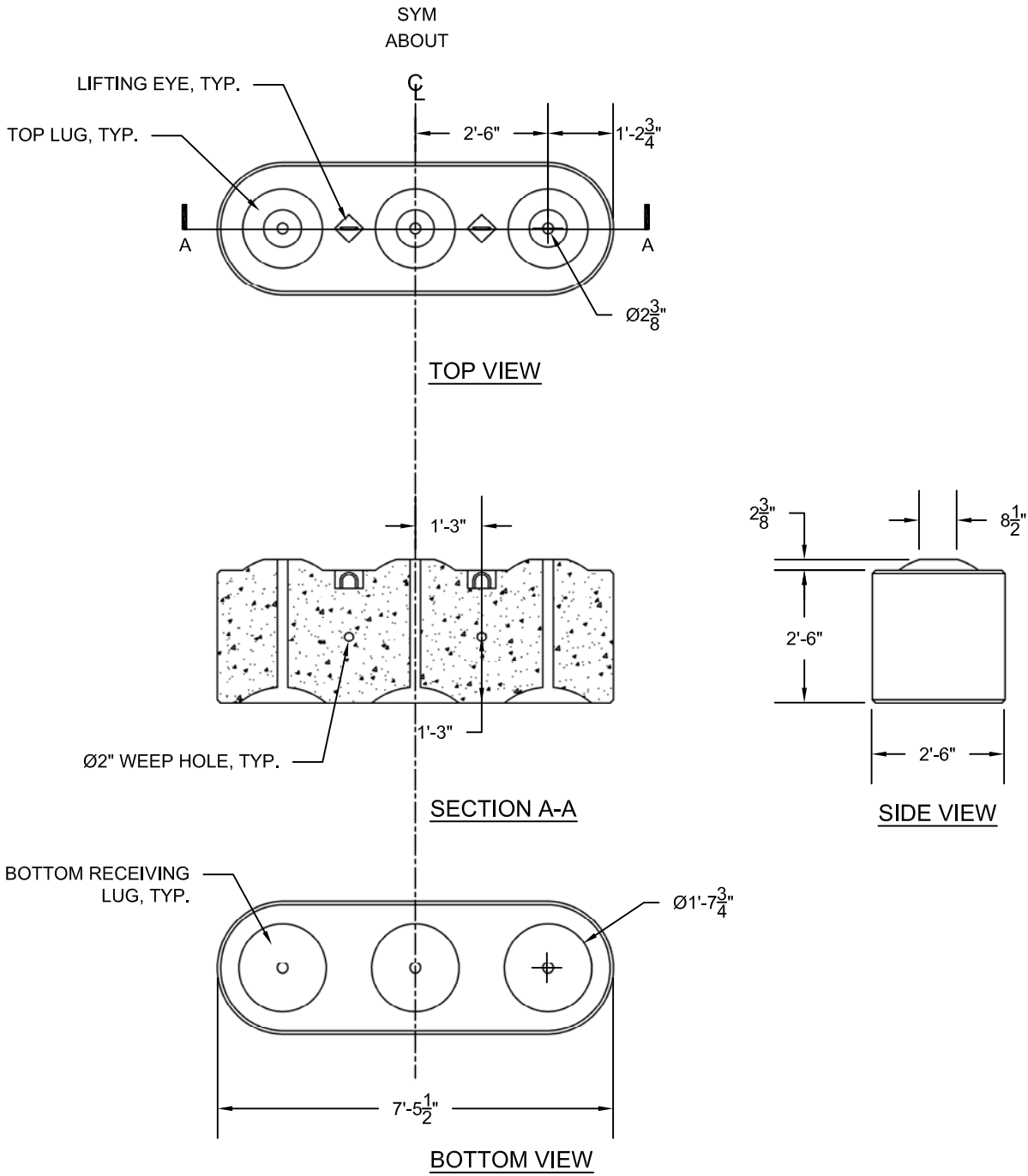
DATE 05/10/2013	DRAWN BY GRL	CHECKED BY MCW	REVISED
--------------------	-----------------	-------------------	---------



PACIFIC BRIDGE & CONSTRUCTION, INC.  
40800 S.E. COALMAN RD.  
P.O. BOX 1711  
SANDY, OR 97055

JOB NUMBER

DRAWING NUMBER  
0005



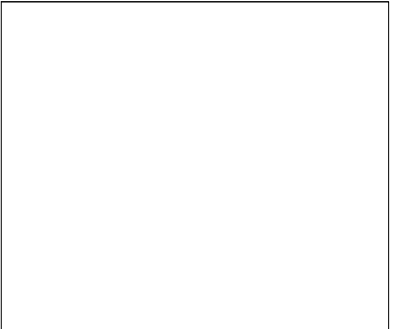
# EXTENDED STANDARD BLOCK

PRIMARY UNIT USED IN CONSTRUCTION OF THE ABUTMENT

TITLE  
EXTENDED STANDARD BLOCK TECHNICAL DATA

PROJECT  
PACIFIC BRIDGE AND CONSTRUCTION, INC.  
MODULAR PRECAST CONCRETE BRIDGE SYSTEM

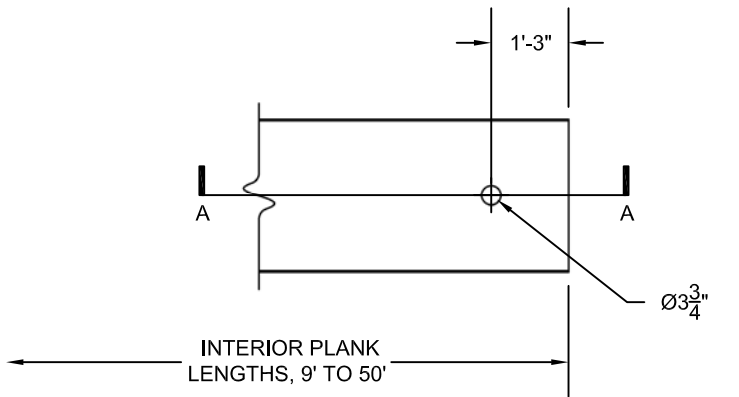
DATE 05/10/2013	DRAWN BY GRL	CHECKED BY MCW	REVISED
--------------------	-----------------	-------------------	---------



PACIFIC BRIDGE &  
CONSTRUCTION, INC.  
40800 S.E. COALMAN RD.  
P.O. BOX 1711  
SANDY, OR 97055

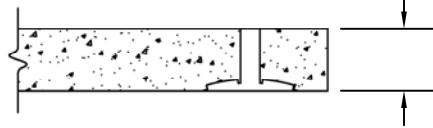
JOB NUMBER

DRAWING NUMBER  
0003

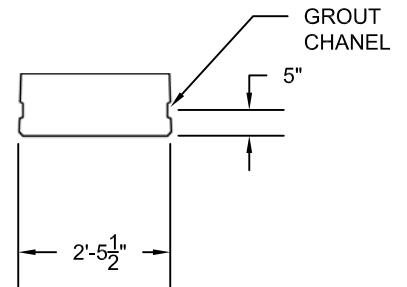


TOP VIEW

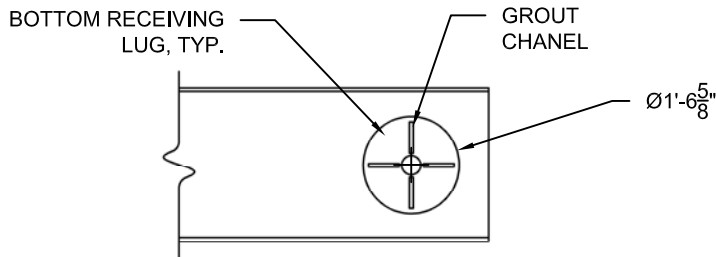
INTERIOR PLANK THICKNESSES  
8", 10", 12", 15",  
18", OR 21"



SECTION A-A



SIDE VIEW



BOTTOM VIEW

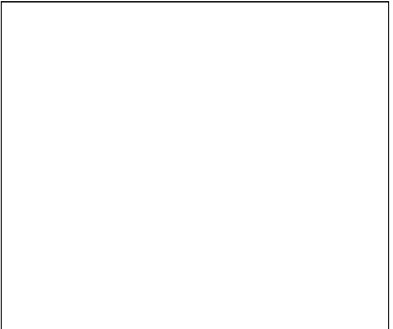
# INTERIOR PLANK

FLAT PLANK USED AS MAIN BRIDGE ROAD SURFACE MEMBERS

TITLE  
INTERIOR PLANK TECHNICAL DATA

PROJECT  
PACIFIC BRIDGE AND CONSTRUCTION, INC.  
MODULAR PRECAST CONCRETE BRIDGE SYSTEM

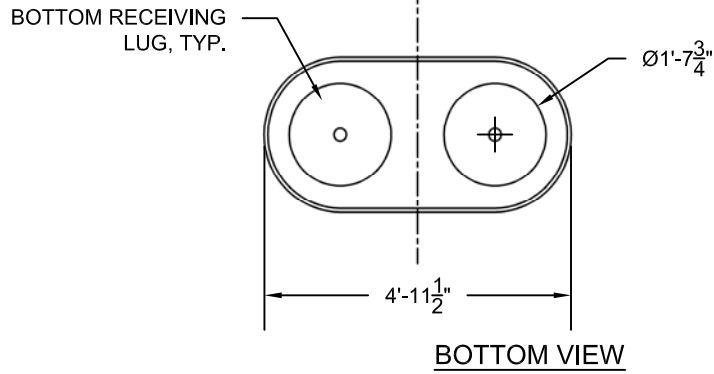
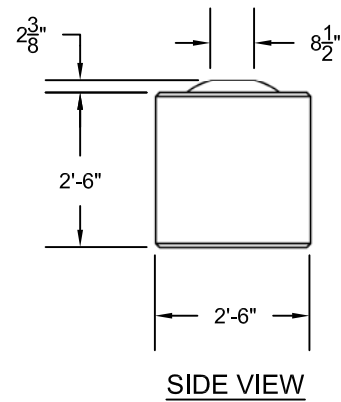
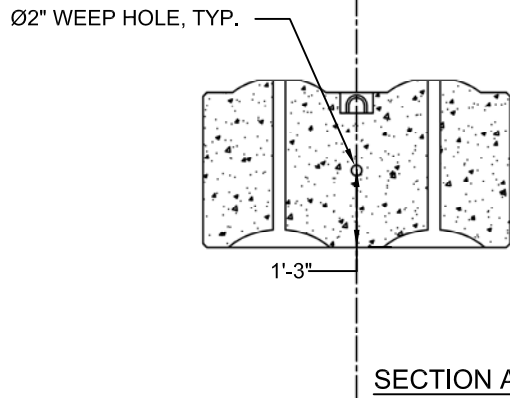
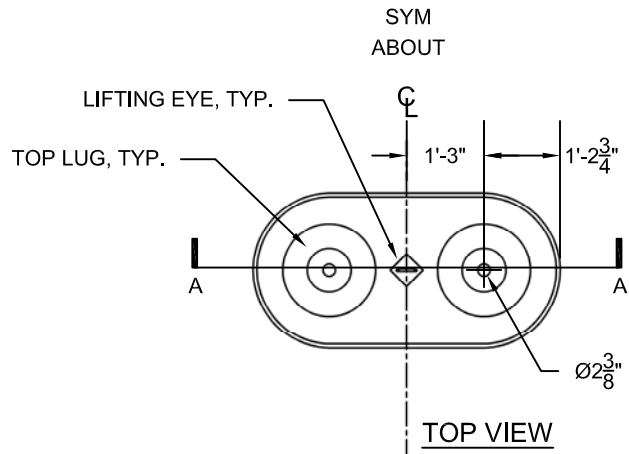
DATE 05/10/2013	DRAWN BY GRL	CHECKED BY MCW	REVISED
--------------------	-----------------	-------------------	---------



PACIFIC BRIDGE &  
CONSTRUCTION, INC.  
40800 S.E. COALMAN RD.  
P.O. BOX 1711  
SANDY, OR 97055

JOB NUMBER

DRAWING NUMBER  
0006



# STANDARD BLOCK

PRIMARY UNIT USED IN CONSTRUCTION OF THE ABUTMENT

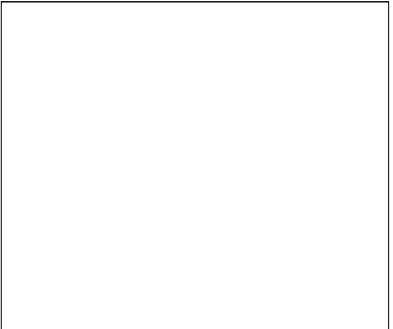
TITLE

STANDARD BLOCK TECHNICAL DATA

PROJECT

PACIFIC BRIDGE AND CONSTRUCTION, INC.  
MODULAR PRECAST CONCRETE BRIDGE SYSTEM

DATE	DRAWN BY	CHECKED BY	REVISED
05/10/2013	GRL	MCW	



PACIFIC BRIDGE &  
CONSTRUCTION, INC.

40800 S.E. COALMAN RD.  
P.O. BOX 1711  
SANDY, OR 97055

JOB NUMBER

DRAWING NUMBER

0004