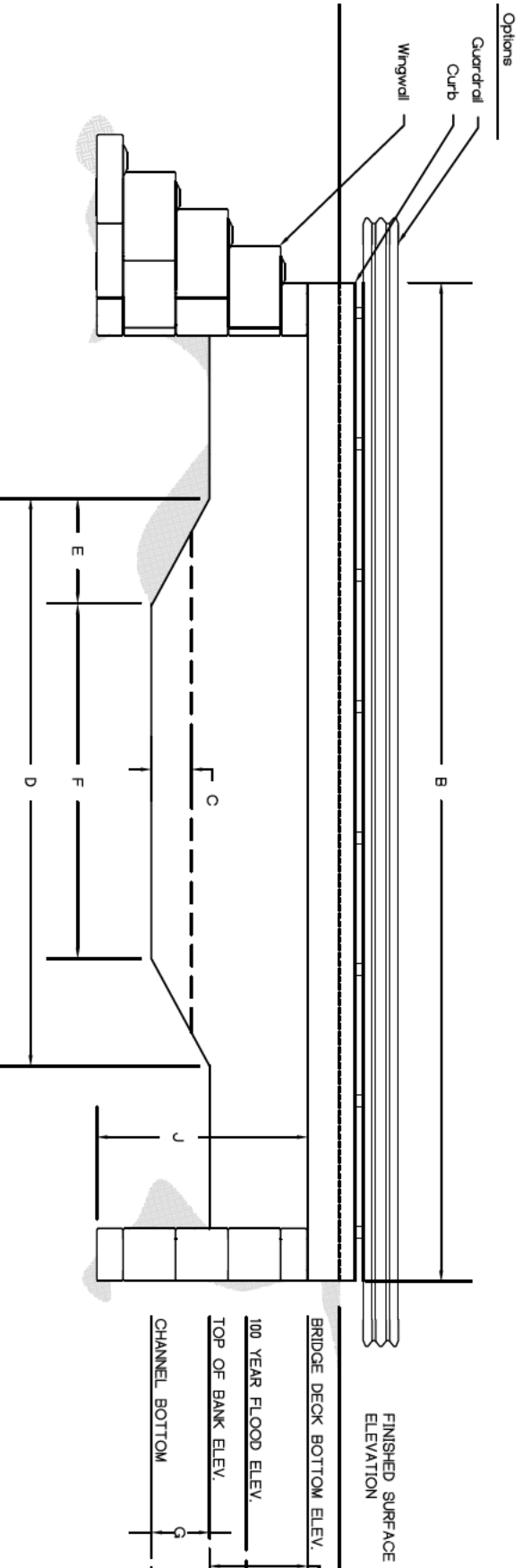
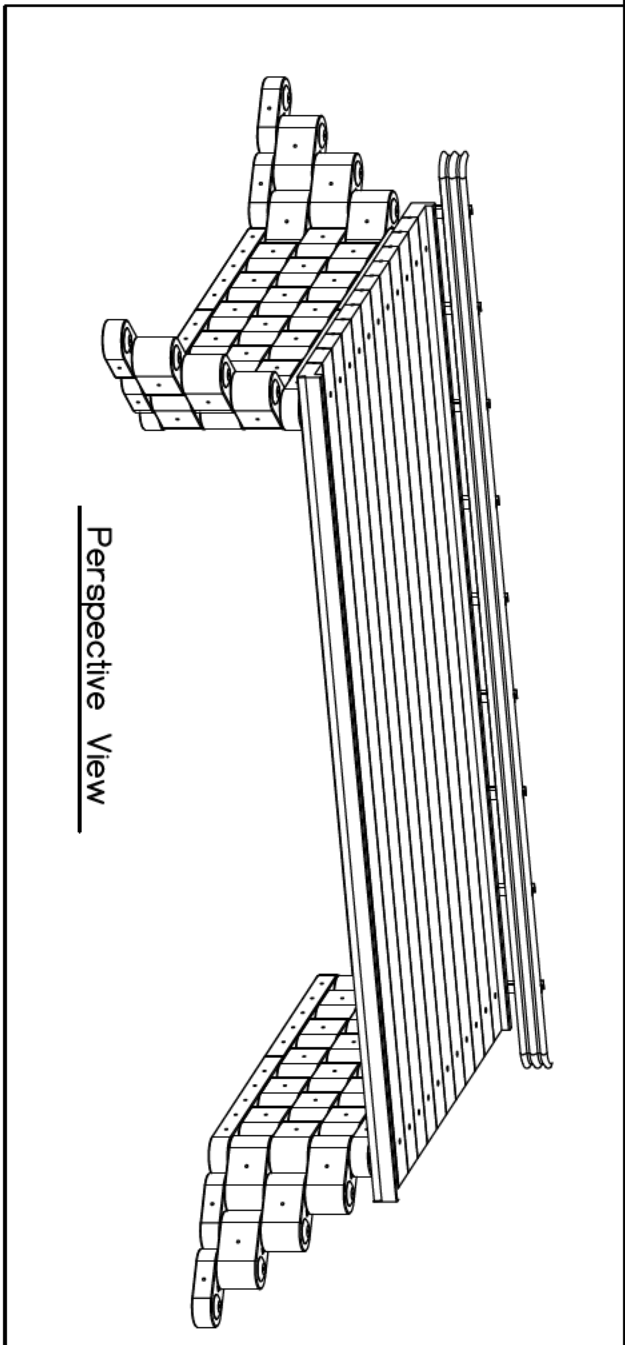


Plan View



Elevation



Perspective View

Bridge Requirements

MEASUREMENT (FEET)	LOCATION
_____	A - Roadway Width
_____	B - Deck Length
_____	C - Depth of Water
_____	D - Bank-to-Bank Width
_____	E - Bank Width
_____	F - Channel Bottom Width
_____	G - Channel Depth
_____	H - Flood Depth
_____	I - Required Clearance
_____	J - Abutment Depth
_____	K - Wingwall Length

NOTES:
 WOULD YOU LIKE A COMPLETE ESTIMATE FOR THE INSTALLATION OF THIS BRIDGE AT YOUR PROJECT SITE?

Submit